

Job Name: _____

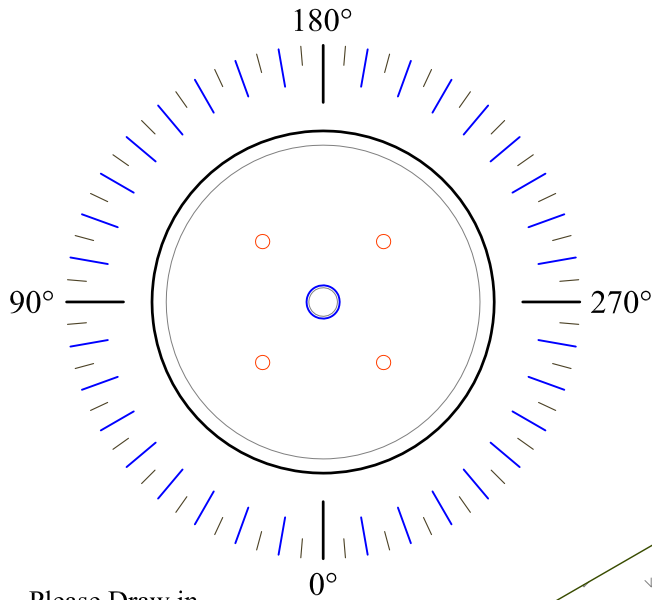
Customer: _____

Base #: _____

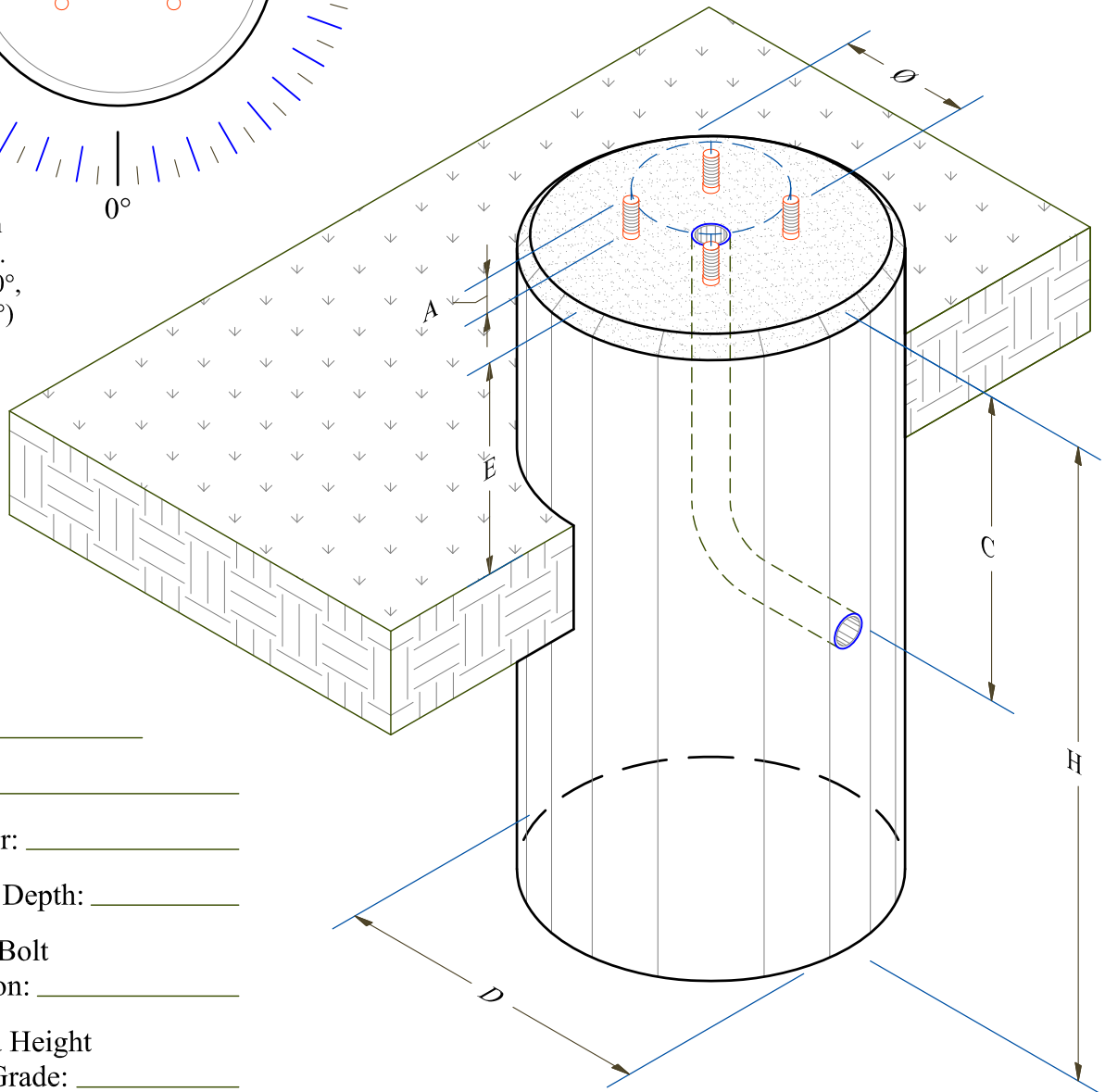
Quantity: _____

Conduit Size: _____

Bolt Pattern Ø: _____



Please Draw in
Conduit layout.
(Suggested at 0°,
90°, 180°, 270°)



Job #: _____

(H) Height: _____

(D) Diameter: _____

(C) Conduit Depth: _____

(A) Anchor Bolt
Projection: _____

(E) Exposed Height
Above Grade: _____

18"Ø=255 lbs/ft : 24"Ø=460 lbs/ft

Design Notes:

- Concrete Minimum 5000 psi at 28 days
- Grade 60 Steel Reinforcing
- Anchor Bolt Projection & Pattern as Required by Project
- Conduit & Anchor Bolts are to be Supplied by Others

Additional Notes: