

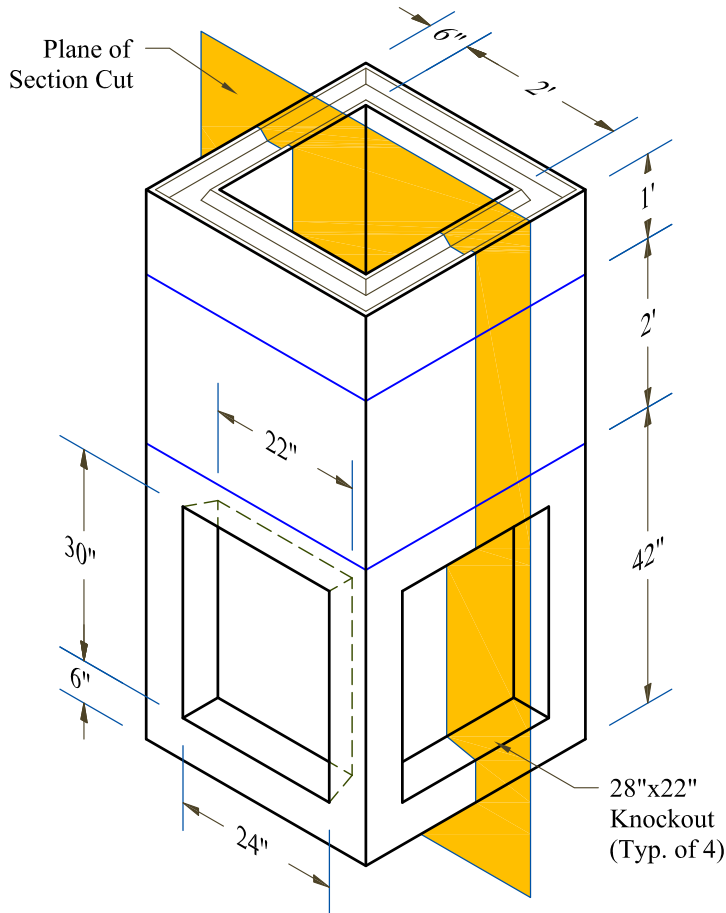
Standard Sizes

Base

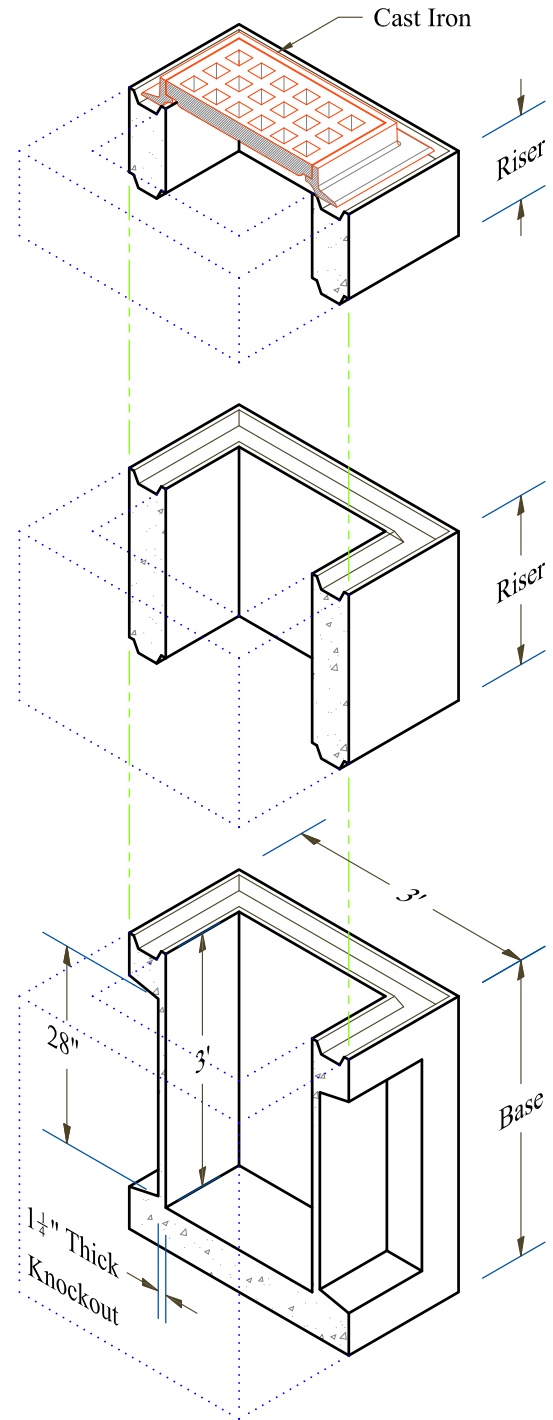
Height	Weight
42"	1,820 lb

Risers

Height	Weight
1'	730 lb
2'	1,460 lb
3'	2,190 lb



Isometric View



Exploded Section

30 Gallons Per Vertical Foot

Design Notes:

-Concrete Minimum 5000 psi at 28 days w/ Grade 60 Steel Reinforcing
-Risers are Optional, All Weights May Vary

-Meets AASHTO H-20 Loading
-Meets ASTM C-478 Specifications