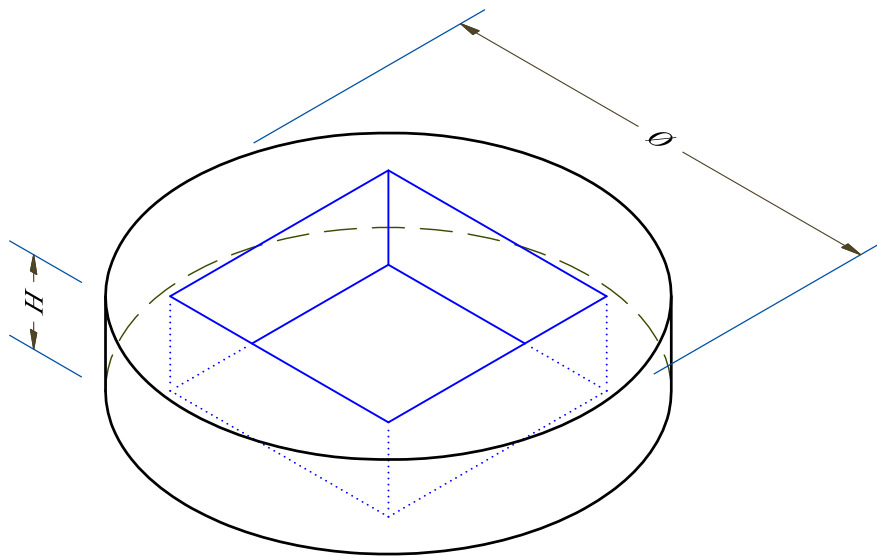


Typical Round Opening

## 40" Ø Grade Rings

H	Opening	Weight
3"	24" Round	205 lb
4"	24" Round	275 lb
6"	24" Round	410 lb
8"	24" Round	550 lb
10"	24" Round	685 lb
12"	24" Round	825 lb



Typical Square Opening

## 44" Ø Grade Rings

H	Opening	Weight
3"	24" Square	245 lb
4"	24" Square	325 lb
6"	24" Square	485 lb
8"	24" Square	650 lb
10"	24" Square	810 lb
12"	24" Square	975 lb
3"	30" Round	210 lb
4"	30" Round	280 lb
6"	30" Round	420 lb
8"	30" Round	560 lb
10"	30" Round	700 lb
12"	30" Round	840 lb

**Design Notes:**

- Concrete Minimum 5000 psi at 28 days
- Grade 60 Steel Reinforcing
- Weights May Vary

- Meets AASHTO H-20 Loading
- Meets ASTM C-478 Specifications