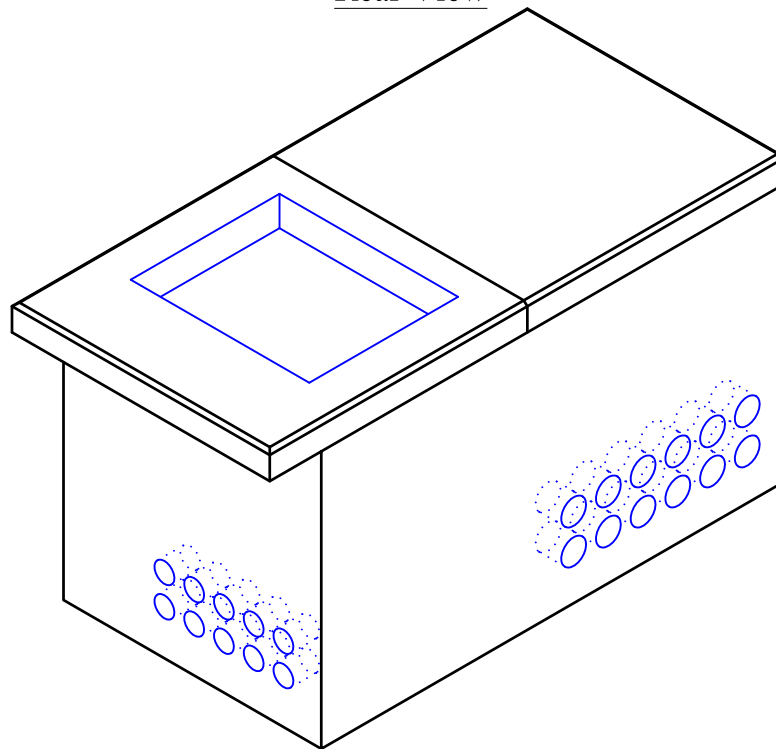


Rear View



Front View

**Design Notes:**

- Concrete Minimum 5000 psi at 28 days
- Built per Green Mountain Power Standards

-Grade 60 Steel Reinforcing