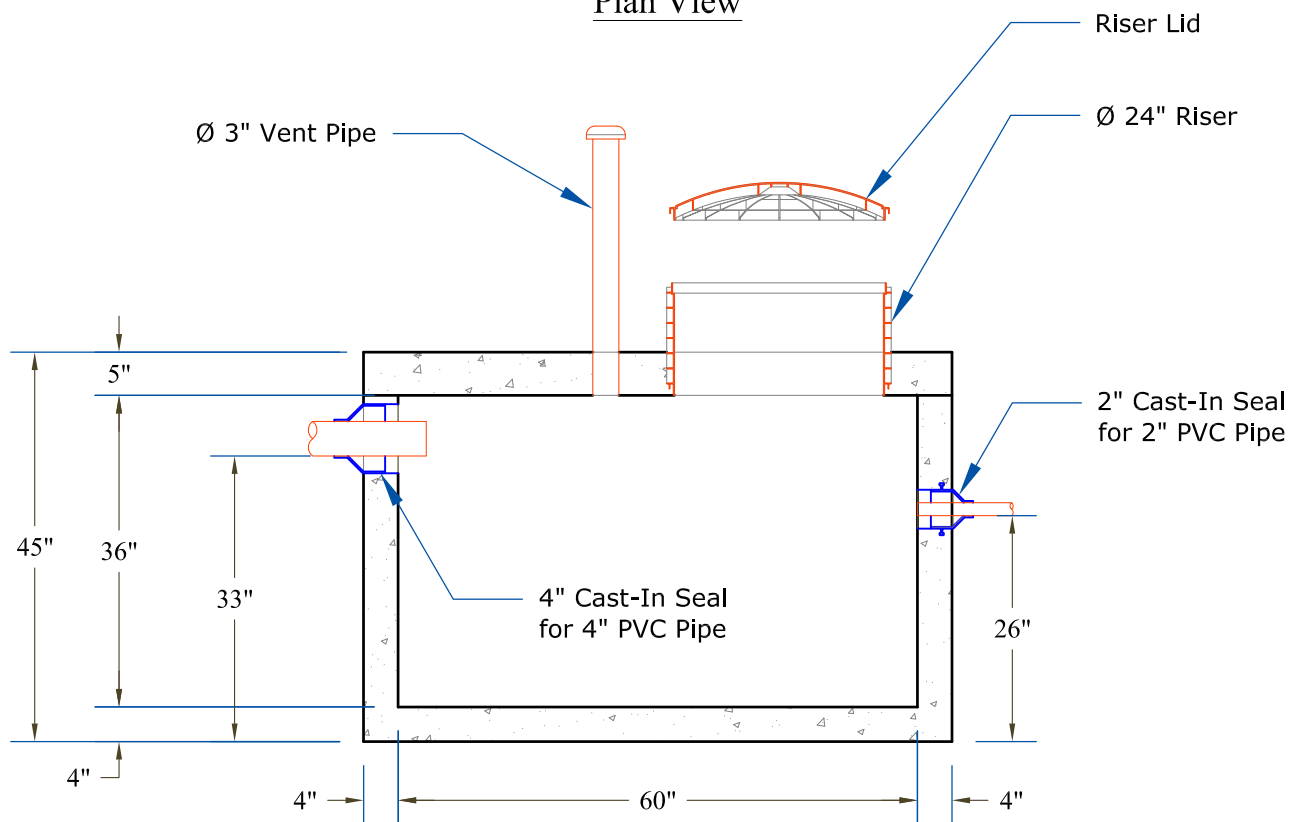


Plan View



Section View

Weight: ± 7,580 lbs

**Design Notes:**

- Concrete Minimum 5000 psi at 28 days
- Reinforced to meet H-10 Loading
- Additional risers sold separately
- Stainless Eliminates Grouting
- Cast in seals designed to accept 2" & 3" PC Pipe
- All internal pump components to be provided and installed by others
- Grade 60 Steel Reinforcing
- Tank should not have any more than 3' of fill over the top slab