

NOTE:

This shop drawing represents S.D. Ireland's interpretation of the architects plans and specifications as well as our contract requirements for this project. Prior to manufacture and production from this drawing all dimensions, methods of construction, and existing conditions must be checked, revised and approved by S.D. Ireland's client.

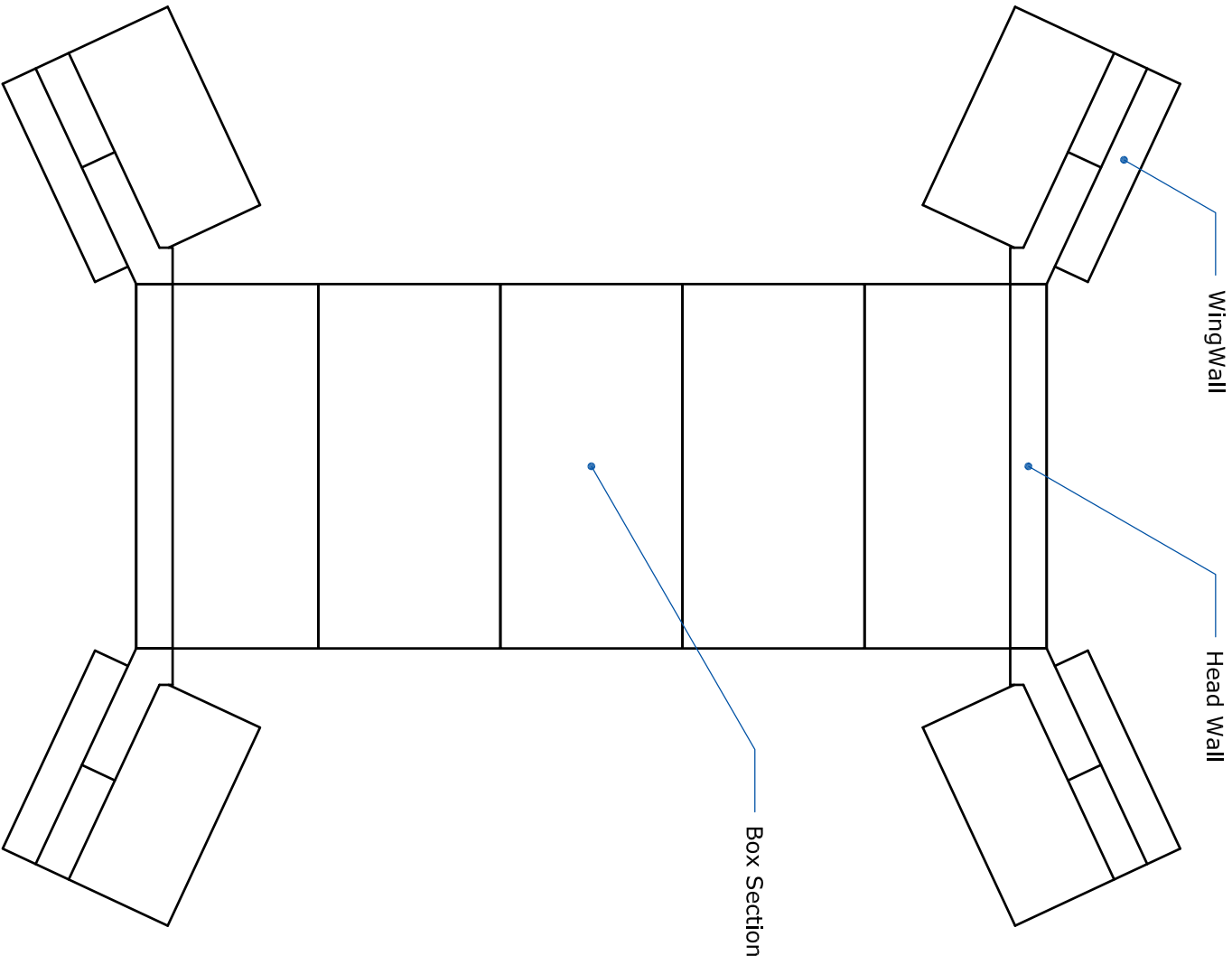
General Notes:

- 1) All mortar and control joints are assumed to be 3/8"
- 2) All lengths stated are actual lengths.
- 3) All lengths stated to be verified in the field by others:
 - Not the responsibility of S.D. Ireland
 - 4) All loose anchorage to be supplied by others:
 - Not the responsibility of S.D. Ireland

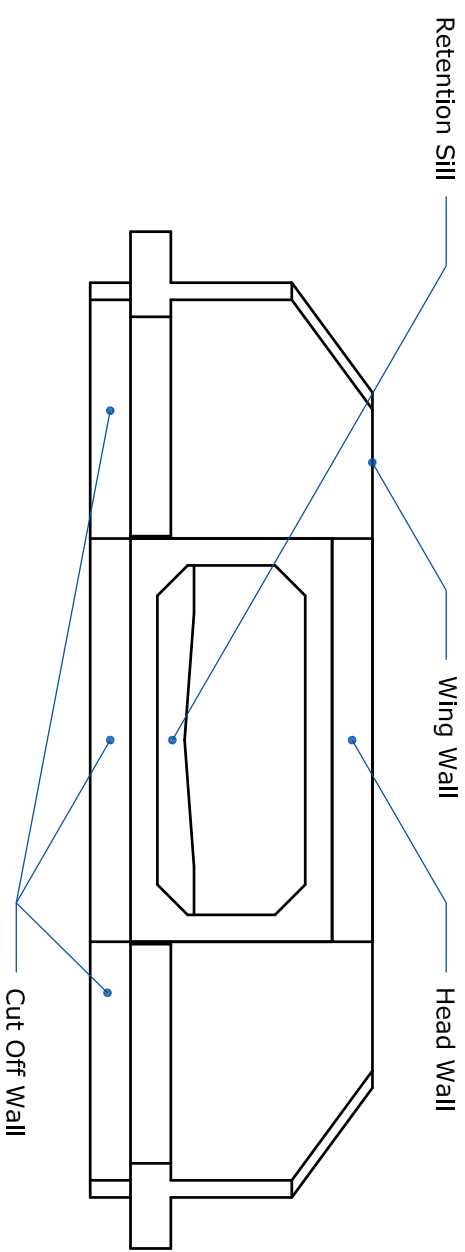
Legend:

-Available in custom sizes ranging from 3'x3' to 9'x16'

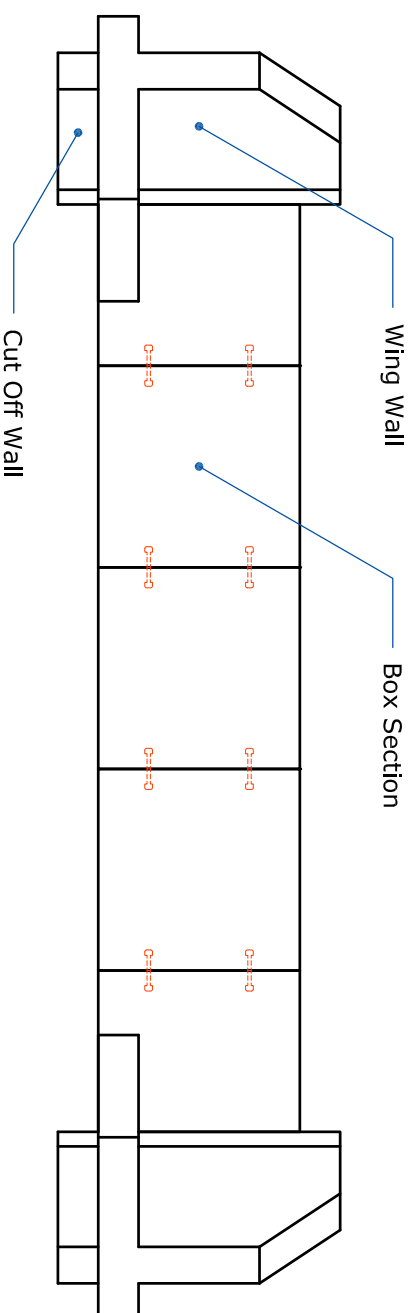
-Design in accordance with ASTM C1577, AASHTO 2010 LRFD Bridge Design Specs Fifth Edition, & HL-93 or HS-20 Design Live Load
-Materials and Manufacturing shall conform to ASTM C1433
-ASTM C1675-11 Box Culvert Installation guides shall be followed
-C1677= Box section joint



Plan View



Section View



Side View

Rev.	Date	By	Description

Project Name: **Box Culvert Template**

Project Location: _____

Drawing Title: _____

Job #: _____ Date: _____

Scale: **N.T.S.** Page: **1 of 1**