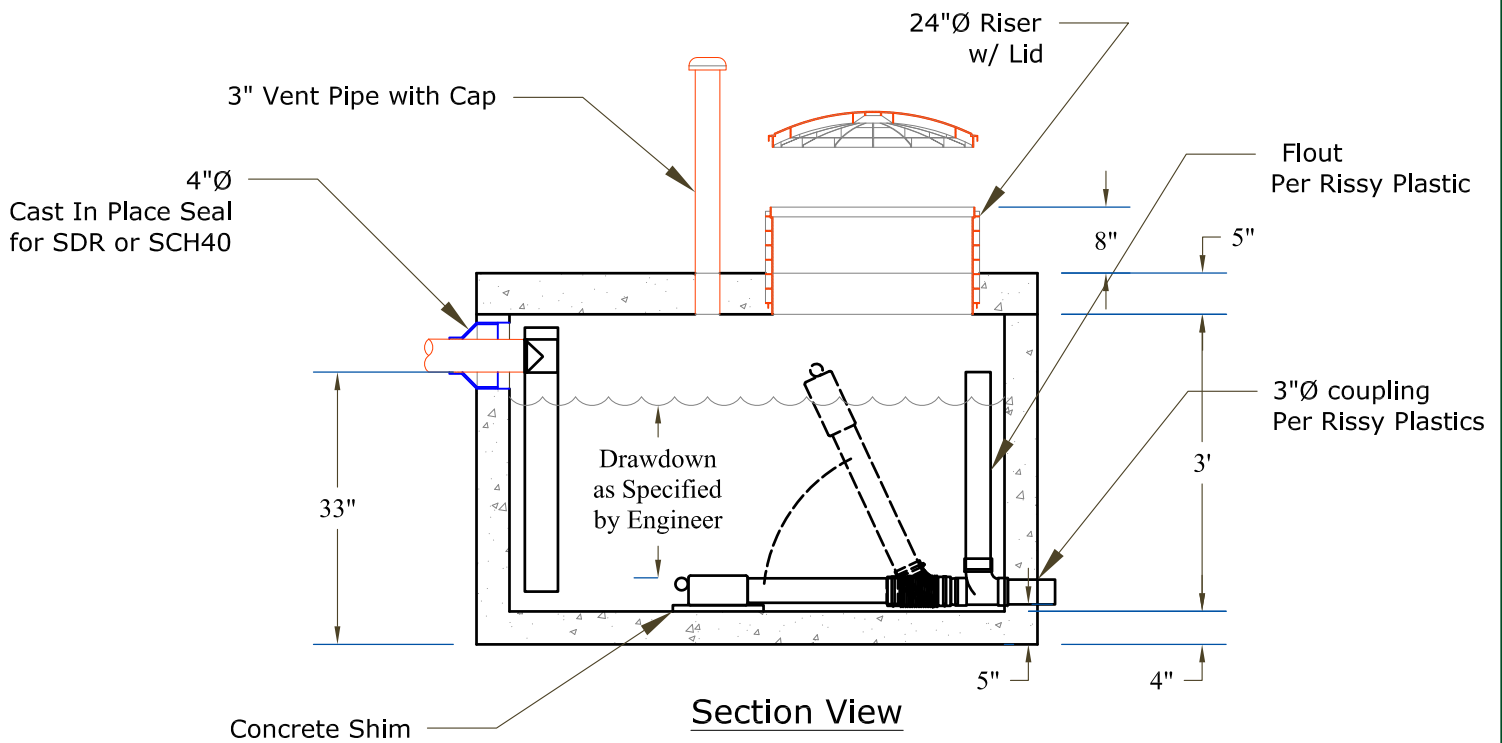


Plan View



Section View

Weight: ±7,580 lbs.

**Design Notes:**

- Concrete Minimum 5000 psi at 28 days
- Reinforced to meet H-10 Loading
- T Baffle shipped loose
- Rissy Plastics flout to be installed at SDI precast facility
- Dose Volume/Drawdown as specified by engineer
- Grade 60 Steel Reinforcing
- Tank should not have any more than 3' of fill over the top slab